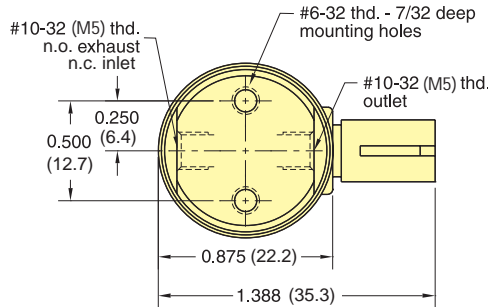


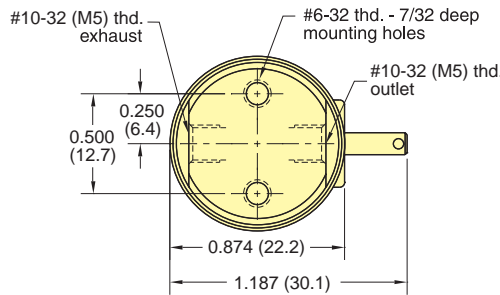
# EV, ET, EC SERIES 3-WAY FULLY PORTED VALVES IN-LINE MOUNT



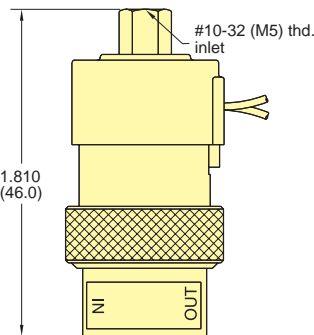
## ECO - 3 - □ - □



## ETO - 3 - □ - □



## EVO - 3 - □ - □



**Type:** Fully Ported 3-Way

**Medium:** Air (40 micron filtration)

**Temperature Range:** 30° to 180°F

**Power Consumption:** 0.67 watt

**Response:** 5 - 10 milliseconds

**Mounting:** In-line or Manifold

**Ports:** #10-32 (M5) or

**Operating Range:** 90% to 150%  
of rated voltage

**Air Flow:** 0.6 scfm @ 100 psig\*;  
17 l/min @ 7 bar

"L" option - 0.5 scfm @ 50 psig;

14 l/min @ 3.5 bar

"H" option - 0.45 scfm @ 25 psig;

13 l/min @ 3.8 bar

\* When air supply is connected to the top port to operate valve normally open, main flow is 0.8 scfm and exhaust flow is 0.6 scfm at 100 psig.

**Pressure Range:**

28" Hg Vac. to 105 psig;  
7 bar max

"L" option:

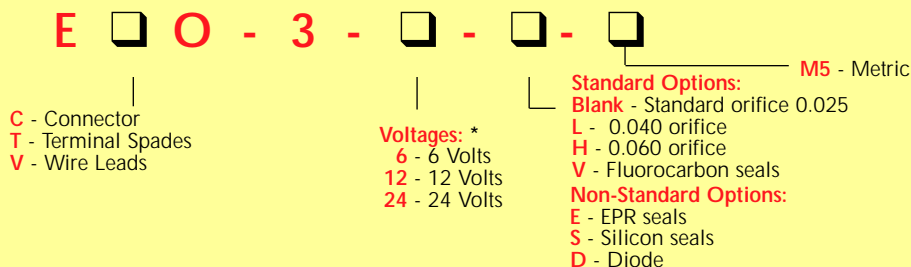
28" Hg Vac. to 50 psig;  
3.5 bar max

"H" option:

28" Hg Vac. to 25 psig;  
1.8 bar max

For Cable and Connectors,  
see Page 187.

### NUMBERING SYSTEM



\* Consult factory for availability of non-standard voltages and other options